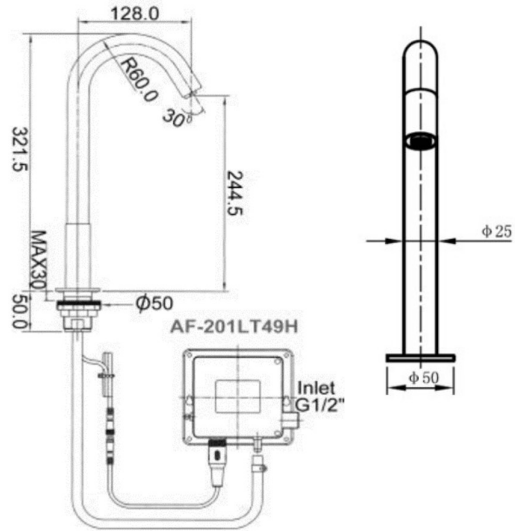


Desk Mount Sensor Tap

AF-201LT49H



Technical Specification:

Finish	:	Brass Chrome Clated
Operating Water Pressure	:	0.05 to 0.8 Mpa
Sensor Range	:	100mm to 300mm (adjustable)
Shut—off Delay time	:	1sec
Time Out Setting	:	60sec
Mounting Hole	:	Φ 33 – 35mm
Flux	:	≤ 0.03 (L/S)
AF-201LT49H-AC-3 (3 ticks)		
AC type	:	Input AC 240V 50/60Hz ; Output DC6V
Power Consumption	:	≤0.3mw
AF-201LT49H-DC-3 (3ticks)		
DC type	:	4 x 1.5V AA Alkaline Battery
Battery Life	:	2 Years (Based on 4500 cycles per month)